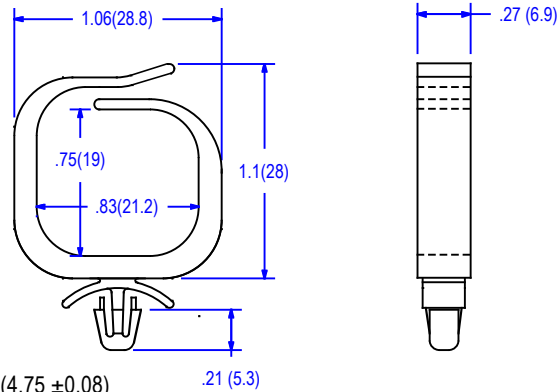


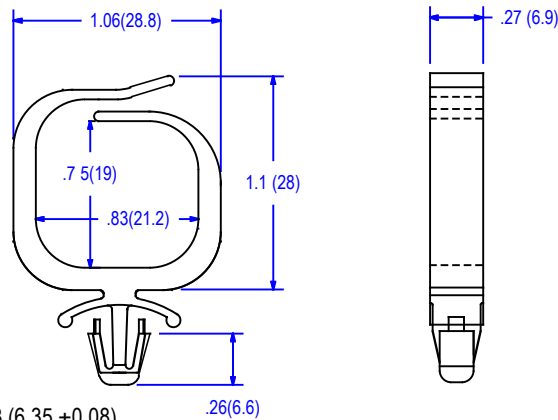
03-82-30
03-82-40

03-82-30



Mounting Hole \varnothing : $.187 \pm .003$ (4.75 ± 0.08)
Panel Thickness range : $.031 - .079$ ($0.8 - 2$)

03-82-40



Mounting Hole \varnothing : $.250 \pm .003$ (6.35 ± 0.08)
Panel Thickness range : $.031 - .079$ ($0.8 - 2$)

Packaging : 1000 per bag

Clamp dimensions are for reference only

UL 94V-0 material available upon request
To order add suffix "X" to item number.

MATERIAL	NYLON 66
UL RATING	94V-2
UL FILE NO.	E41938
COLOR	NATURAL
RoHS COMPLIANCE	YES
TEMPERATURE RANGE (REF.)	-40 to 185°F (-40 to 85°C)
MR NUMBER	12

					BY	DATE	Title	
							Router, optical fibers	
							Part No.	Issue
							'03-82-30 03-82-40.	0
					FL	11/29/09	.xx =reference only	
					DIMS. Inches (mm) Tolerance (unless noted)			Drwg. type
					ALL ELECTRONICS HARDWARE INC. 2642 CORPORATE PARKWAY ALGONQUIN, ILLINOIS . 60102 1-800-778-7234			Catalog
								11/29/09
No	Revision	Date	Init.		File No.			03-82 series